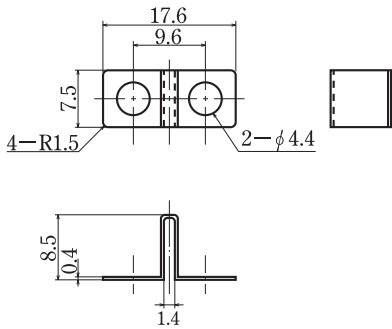


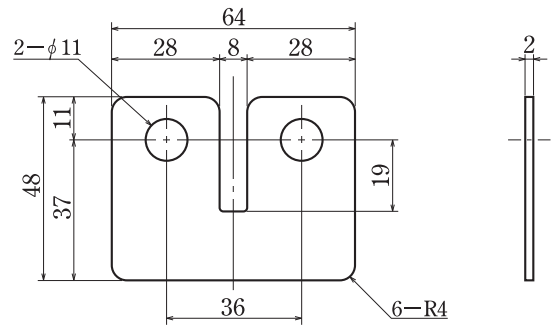
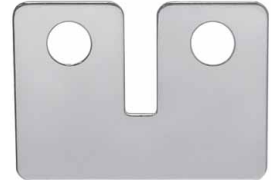
ピッチ/Pitch 9.6mm

|                   |              |
|-------------------|--------------|
| 型名<br>Type Number | <b>F2147</b> |
| 定格<br>Rating      | 20A          |



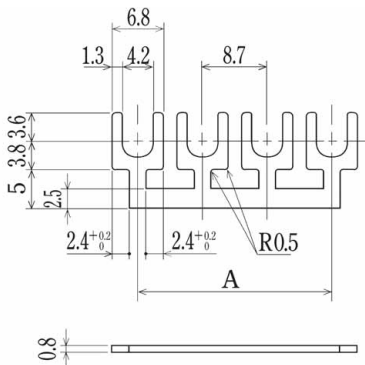
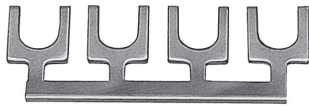
ピッチ/Pitch 36mm

|                   |              |
|-------------------|--------------|
| 型名<br>Type Number | <b>F2149</b> |
| 定格<br>Rating      | 250A         |



ピッチ/Pitch 8.7mm

|                   |              |
|-------------------|--------------|
| 型名<br>Type Number | <b>F2150</b> |
| 定格<br>Rating      | 15A          |



| 極数/Poles | 2P  | 3    | 4    | 5    | 6    | 7    | 8    |
|----------|-----|------|------|------|------|------|------|
| A        | 8.7 | 17.4 | 26.1 | 34.8 | 43.5 | 52.2 | 60.9 |

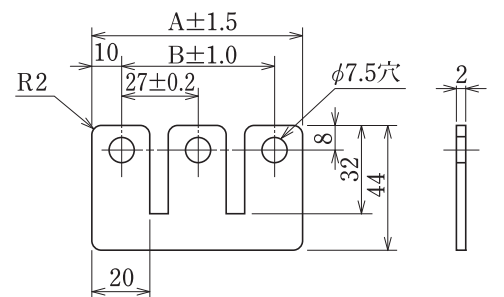
- 注文方法：型名
- Ordering Form : Type No.

■仕様/Specifications.

| 材質/Material | 規格/Standard | 処理/Treatment          | 備考/Remark |
|-------------|-------------|-----------------------|-----------|
| 黄銅 Brass    | C2680R      | ニッケルメッキ Nickel-Plated |           |

ピッチ/Pitch 27mm

|                   |              |
|-------------------|--------------|
| 型名<br>Type Number | <b>F2151</b> |
| 定格<br>Rating      | 100A         |



| 極数/No. of Poles | 2P | 3  | 4   | 5   | 6   | 7   |
|-----------------|----|----|-----|-----|-----|-----|
| A               | 47 | 74 | 101 | 128 | 155 | 182 |
| B               | 27 | 54 | 81  | 108 | 135 | 162 |