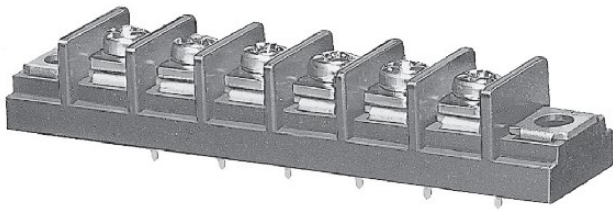


貫通型端子台



Through-type Terminal Block

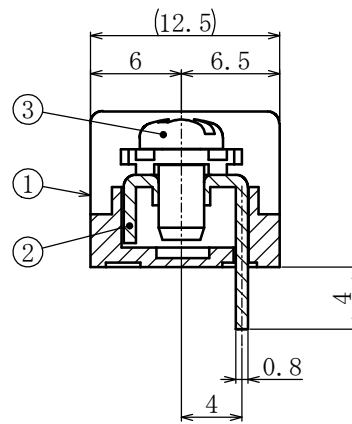
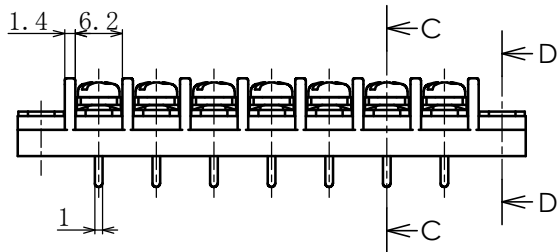
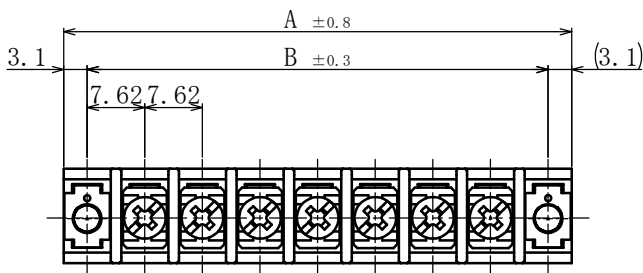
ピッチ/Pitch 7.62mm



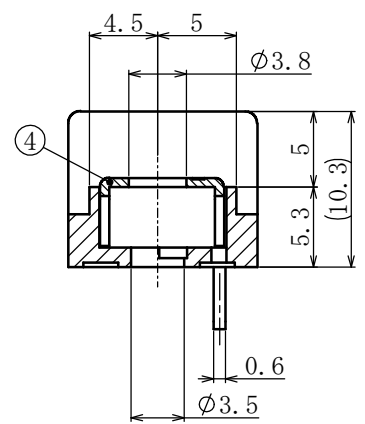
| | |
|-------------------------------|---|
| 型名 Type Number | F 2 3 6 4 A |
| 定格 Rating | AC250V 10A |
| 絶縁抵抗 Insulation Resistance | DC500V 1000MΩ以上 DC500V 1000MΩ and over |
| 耐電圧 Withstands Voltage | AC2000V 1分間以上 AC2000V 1minute and over |
| ねじ径 Screw Diameter | M3 |
| 適合電線 Compatible Wire | 0.75mm ² |

一般公差/General Tolerance ±0.5

尺度/Scale 1/1 単位/Unit mm



断面図C-C (2 / 1)
Section View C-C



断面図D-D (2 / 1)
Section View D-D

- ・注文方法：型名 — 極数 P.
- ・Ordering Form: Type No. No. of Poles (P)
- ・結線ビス：締付けトルク0.6N・m.
- ・Connection screw: Tightening torque is 0.6N・m.
- ・旧型名 (FULP-330B)
- ・Old Type No.

仕様/Specifications.

| 部番 Part No. | 名称 Part Name | 材質 Material | 規格 Standard | 寸法 Size | 処理 Treatment | 備考 Remarks |
|-------------|---------------------|-------------|-------------|-----------|-----------------------|----------------|
| 1 | モールド Mold | PBT | UL | | | 黒色 Black |
| 2 | 導電金具 Terminal | 黄銅 Brass | C2680R | 板厚 t0.8 | スズメッキ Tin-Plated | |
| 3 | 結線ビス Screw | 鉄 Steel | SWCH・SPCC | M3×0.5×6L | ニッケルメッキ Nickel-Plated | フリークソシビス Type② |
| 4 | 取付金具 Mounting plate | 黄銅 Brass | C2680R | 板厚 t0.6 | ニッケルメッキ Nickel-Plated | |

| 極数/Poles | 1P | 2 | 3 | 4 | 5 | 6 | 7 | 8 | 9 | 10 | 11 | 12 | 13 | 14 | 15 |
|----------|--------|--------|--------|--------|--------|--------|--------|--------|--------|--------|--------|--------|--------|--------|--------|
| A | 21.44 | 29.06 | 36.68 | 44.30 | 51.92 | 59.54 | 67.16 | 74.78 | 82.40 | 90.02 | 97.64 | 105.26 | 112.88 | 120.50 | 128.12 |
| B | 15.24 | 22.86 | 30.48 | 38.10 | 45.72 | 53.34 | 60.96 | 68.58 | 76.20 | 83.82 | 91.44 | 99.06 | 106.68 | 114.30 | 121.92 |
| 極数/Poles | 16 | 17 | 18 | 19 | 20 | 21 | 22 | 23 | 24 | 25 | 26 | 27 | 28 | 29 | 30 |
| A | 135.74 | 143.36 | 150.98 | 158.60 | 166.22 | 173.84 | 181.46 | 189.08 | 196.70 | 204.32 | 211.94 | 219.56 | 227.18 | 234.80 | 242.42 |
| B | 129.54 | 137.16 | 144.78 | 152.40 | 160.02 | 167.64 | 175.26 | 182.88 | 190.50 | 198.12 | 205.74 | 213.36 | 220.98 | 228.60 | 236.22 |